

14

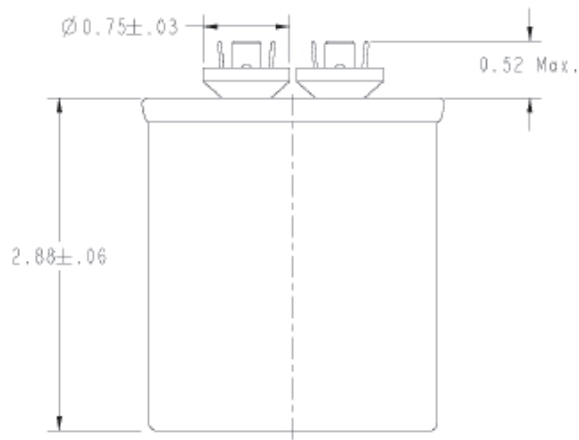
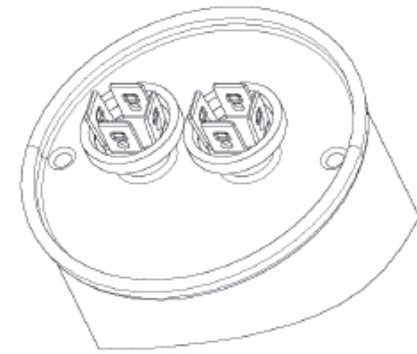
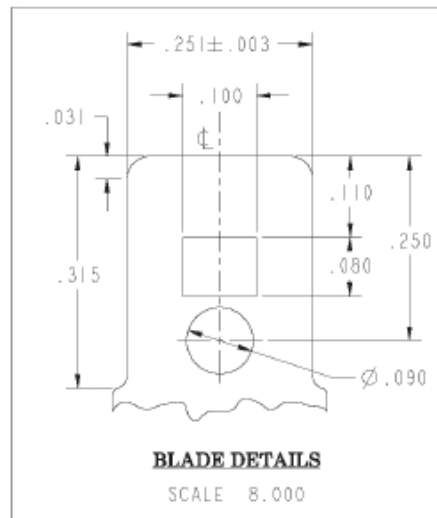
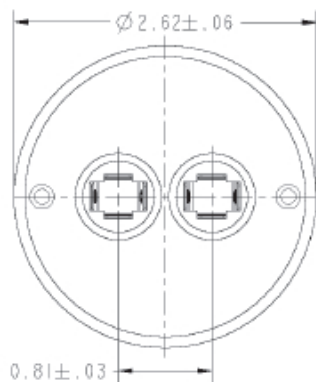
13

12

SIZE	DRAWING NO.	REV.	SHEET
C	27L1001	0	1

RBC PROPRIETARY AND CONFIDENTIAL INFORMATION
 This document is the property of REGAL-BELOIT CORPORATION ("RBC") including its subsidiaries and affiliates and contains proprietary information of RBC. This document is issued on the express consent that neither the information contained herein shall be disclosed to others without the express written consent of RBC and that the informed use shall be used for the purpose only as approved in writing by RBC. This document shall be returned to RBC upon the request. This document may be subject to certain restrictions under U.S. export control laws and regulations.

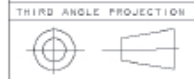
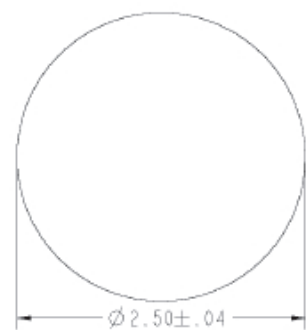
REVISIONS			
REV.	DESCRIPTION	DATE	APPROVED



SPECIFICATIONS :

"GEM-III Capacitors are manufactured with High Grade Metallized Polypropylene Film"

Main Capacitance	: 45.00µF ± 6%
Secondary Capacitance	: NIL
Volts	: 440AC
Leakage Current	: 30µA Max.
Frequency	: 50/60 HZ
Operating Temperature	: -40 DEG C TO 70 DEG C
Storage Temperature	: -40 DEG C TO 90 DEG C
Operative Life	: 60,000 HRS WITH 94% SURVIVAL
Dissipation Factor	: 0.1% MAX.
Case Material	: ALUMINIUM
Cover Material	: STEEL TIN PLATED
Terminals	: 0.250" x 0.031" Quick Connect Blades
Dielectric Fluid	: DIELEKTROL VI
Internal Protection	: UL RECOGNIZED PRESSURE SENSITIVE INTERRUPTER



FOR ADDITIONAL INFO REFER TO:	SIGNATURES	DATE
APPLIED PRACTICES	MODEL	NT05008 11/28/07
UNLESS OTHERWISE SPECIFIED DIMENSIONS ARE IN INCHES	DETAIL	NT05008 11/28/07
TOLERANCE ON:	CHECKED	HW 11/28/07
1 PL DECIMALS ± 0.1	ENGR	-
2 PL DECIMALS ± 0.01	HQ	-
3 PL DECIMALS ± 0.001	QUALITY	-
ANGLES ± 0.5	ISSUED	-
FRACTIONS ±	-	-
FINISH	-	-
MATERIAL	SOLID MODEL CAPACITOR ASSEMBLY	

REGAL-BELOIT CORPORATION

GEM III CAPACITOR OUTLINE DRAWING

SIZE: DRAWING: C

SCALE: 1.250

REF. No.:

SHEET 1 OF 1

14

13

12

11